

Server Processors | FPGAs | Supercomputers | Telecom, Networking, Datacenter | Graphics & Video Processors

LGA80D Digital DC-DC Converter Module



The LGA80D from Artesyn Embedded Power is the first DC-DC converter module of its kind on the market. This innovative non-isolated unit offers two independent and configurable 40 amp, 100 watt outputs, which can also be combined to a single configurable 80 amp, 200 watt output. With a footprint of 1 x 0.5 inches or 25.4 x 12.5 mm, the product has one of the highest current density ratings in the industry.

You can generate higher current rated rails by connecting up to four units in parallel so that up to 320 amps can be supplied as a single power rail. The unit's efficiency is market-leading,

with 95.5% typical, one of the highest available in this product category. Both analog control and digital control functions are enabled on this unit so that the LGA80D can be controlled with resistors, or controlled and monitored by using the industry-standard PMBus[®] digital interface.

Graphics, data or video processing applications, as well as applications using high power devices such as server processors, FPGAs, supercomputers, network, storage and telecom equipment, can benefit from the current density, efficiency and flexibility of control of Artesyn's LGA80D digital DC-DC converter.

**200 W
Max Power**

**Input
7 – 14 Vdc**

**Output
0.6 – 5.2 Vdc**

**Two 40 A or a
Single 80 A Output**

**Digital or
Analog Control**

A New Era for Non-Isolated POL Converters

As the circuit boards in telecom and data center systems have become more complex and densely populated, every component is under pressure to provide maximum value with the additional target of reducing the physical size. The key is to increase the amps per square inch current density of non-isolated converters with the objective of freeing up space that can be used to increase the computing power of a board by reducing the amount of real estate used for power conversion. Adding one square inch can make a significant difference, with the released space available to be used for additional processing functions.

Technical Details

The Artesyn LGA80D is designed with a voltage mode dual-phase synchronous buck topology. It can accommodate a wide range of ambient

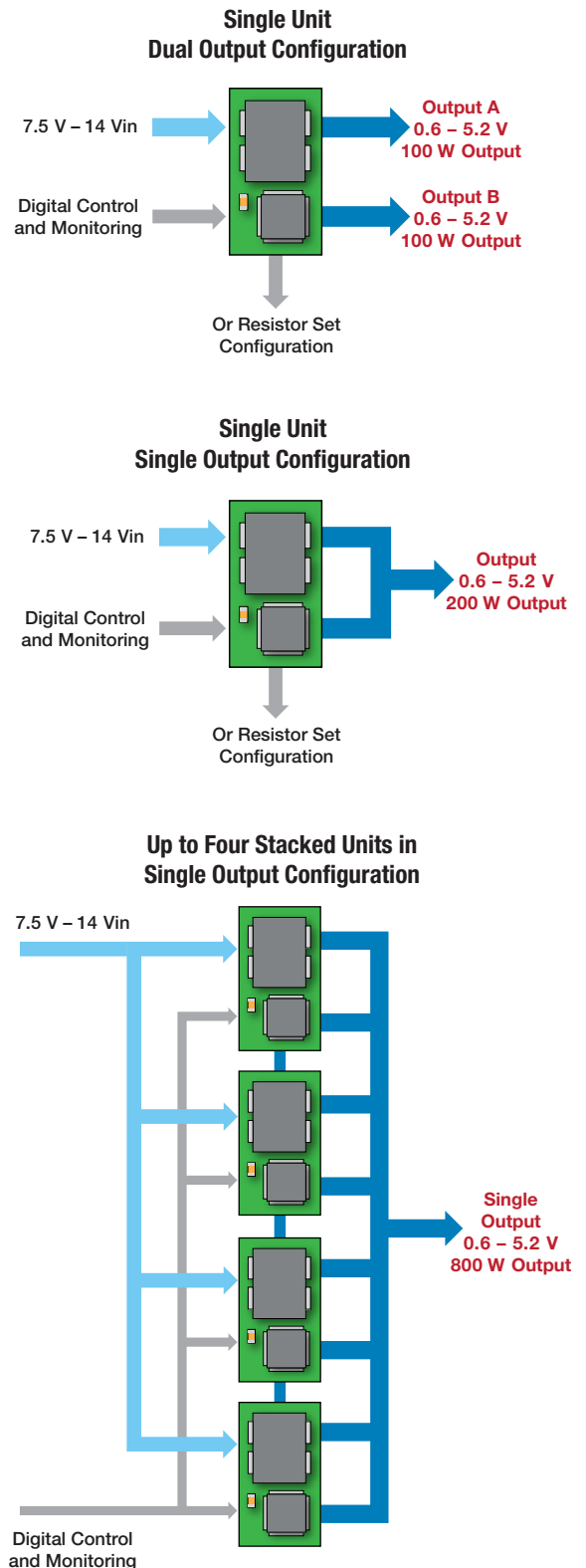


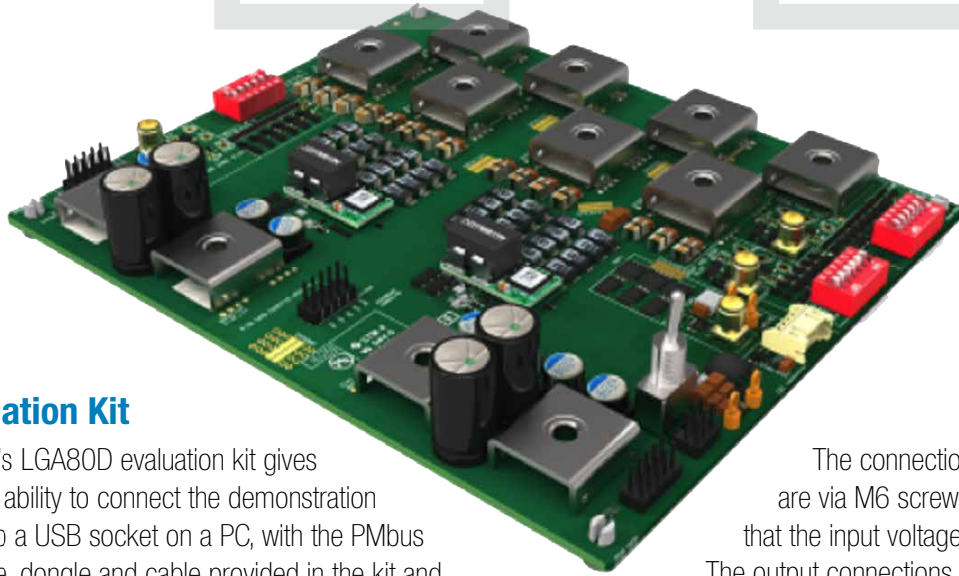
temperatures thanks to extremely high power conversion efficiency and resultant low power dissipation, combined with the excellent thermal management design of the unit.

Each module offers two independent and configurable 40 amp, 100 watt outputs, which can also be combined to a single configurable 80 amp, 200 watt output. You can generate higher current rated rails by connecting up to 4 units in parallel so that up to 320 amps can be supplied as a single power rail.

The input voltage and output voltage specifications remain the same in any configuration, so the input is defined as 7.5 V to 14 V and the output voltage can always be adjusted within the range of 0.6 V to 5.2 Vdc, meaning that a broad range of semiconductor devices and applications can be supported. In a dual output configuration, the LGA80D can be controlled (by either PMBus or external resistor control) to supply up to 100 W per channel. In single output configuration, each module can support 200 W. This is the power rating of the blocks that can be stacked together, so you can achieve 200 W with a single unit, 400 W with two units, 600 W with three units or 800 W with four units.

The maximum output power that the module delivers will depend on a number of parameters, primarily the output voltage setting, ambient air temperature and velocity (forced airflow or natural convection). The LGA80D module has an operating temperature range of -40 °C to 85 °C with a derating curve that starts at ambient conditions of 65 °C under one meter/sec airflow.





Evaluation Kit

Artesyn's LGA80D evaluation kit gives you the ability to connect the demonstration board to a USB socket on a PC, with the PMbus interface, dongle and cable provided in the kit and control and monitor the LGA80D units as they would be used in an application.

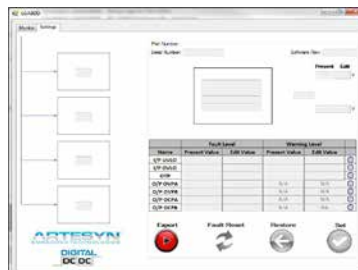
There are hardware functions on the demonstration board that allow you to enable and select an output voltage by simple dip-switch settings, and the board provides voltage and ripple measurement points.

The connections to the evaluation board are via M6 screws, with the only provision being that the input voltage is in the 7.5 V to 14 V range. The output connections use the same M6 screws, however, if you want to connect the outputs in parallel or you wish to stack the modules, they are placed in such a way to make the operation of placing a link between them as easy as possible. The demonstration board is populated with two LGA80D modules, allowing you to test independent channel or stacked-module operation.



Module Management GUI Software

For simple evaluation, configuration and monitoring, Artesyn offers a PC-based graphical software package in conjunction with the evaluation kit. Two intuitive tabs allow you to enter the required settings for individual converters and to monitor the status and parameters.



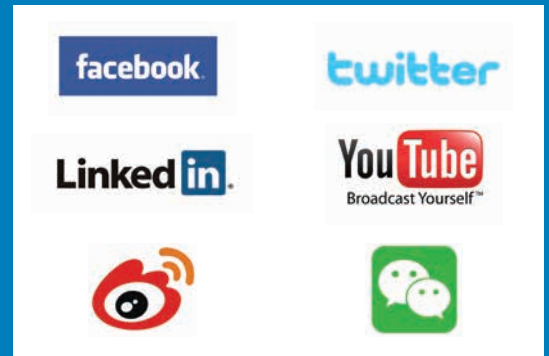
About Artesyn Embedded Power

Artesyn Embedded Power, an Advanced Energy company, is a global leader in the design and manufacture of highly reliable power conversion solutions for a wide range of industries including communications, computing, server storage, healthcare and industrial. For more than 40 years, customers have trusted Artesyn to help them accelerate time-to-market and reduce risk with cost-effective power conversion solutions. Artesyn has over 8,000 employees worldwide across multiple engineering centers of excellence, wholly-owned world-class manufacturing facilities, and global sales and support offices. Artesyn Embedded Power is a registered, assumed name of Artesyn Embedded Technologies, Inc., an Advanced Energy company.

About Advanced Energy

Advanced Energy (Nasdaq: AEIS) is a global leader in the design and manufacturing of highly engineered, precision power conversion, measurement and control solutions for mission-critical applications and processes. AE's power solutions enable customer innovation in complex applications for a wide range of industries including semiconductor equipment, industrial manufacturing, telecommunications, data center computing server storage and healthcare. With engineering know-how and responsive service and support around the globe, the company builds collaborative partnerships to meet technology advances, propel growth for its customers and innovate the future of power. Advanced Energy has devoted more than three decades to perfecting power for its global customers and is headquartered in Fort Collins, Colorado, USA. For more information, visit www.advancedenergy.com.

Advanced Energy | Precision. Power. Performance.



Stay Connected.

The latest happenings are being posted on LinkedIn, Twitter, Facebook, Weibo and WeChat! Sign up for one or all of the sites below and stay connected with Artesyn Embedded Power!

www.linkedin.com/company/artesyn
www.facebook.com/artesynembedded
www.twitter.com/artesynembedded
www.youtube.com/user/artesynembedded
www.weibo.com/artesynchina

WORLDWIDE OFFICES

Americas

2900 South Diablo Way
Suite B100
Tempe, AZ 85282, USA
+1 888 412 7832

Europe (UK)

Ground Floor Offices, Barberr House
4 Harbour Buildings, Waterfront West
Brierley Hill, West Midlands
DY5 1LN, UK
+44 (0) 1384 842 211

Asia (HK)

14/F, Lu Plaza
2 Wing Yip Street
Kwun Tong, Kowloon
Hong Kong
+852 2176 3333

Artesyn Embedded Technologies, Artesyn Embedded Power, Artesyn, and all Artesyn related logos are trademarks and service marks of Artesyn Embedded Technologies, Inc. All other names and logos referred to are trade names, trademarks, or registered trademarks of their respective owners. Specifications are subject to change without notice. © 2019 Artesyn Embedded Technologies, Inc. All rights reserved. For full legal terms and conditions, please visit www.artesyn.com/legal.

ARTESYNTM
An Advanced Energy Company

www.artesyn.com

For more information: www.artesyn.com
For support: productsupport.ep@artesyn.com

LGA80D-R2 06Dec2019